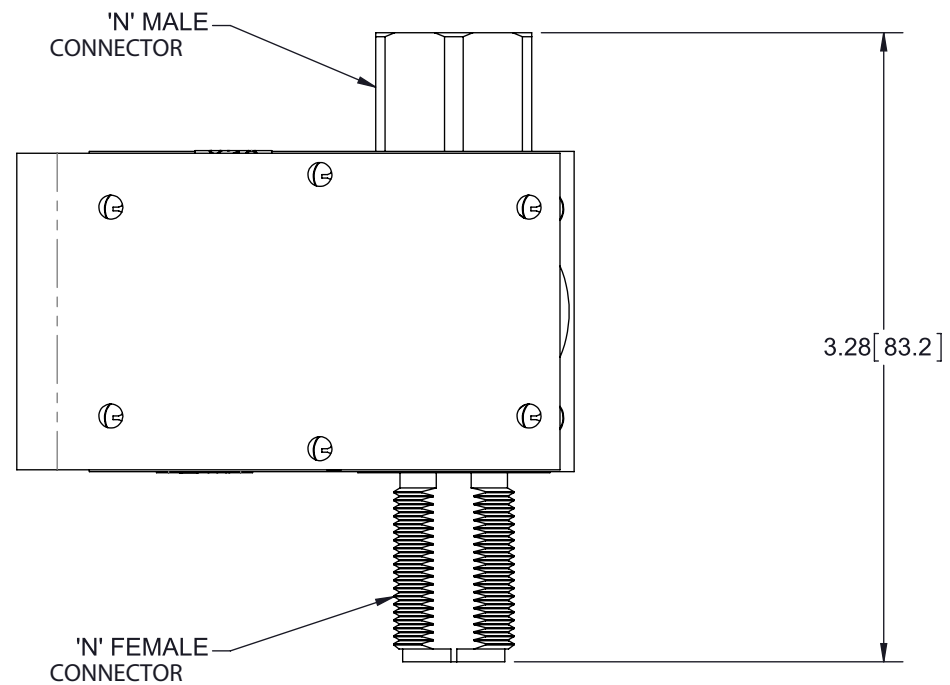
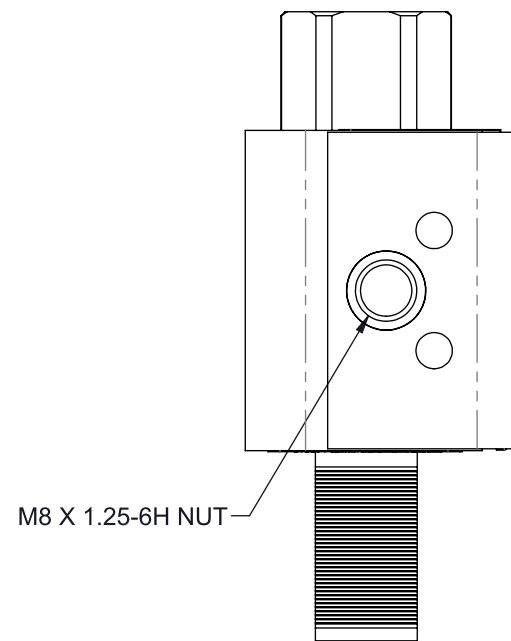
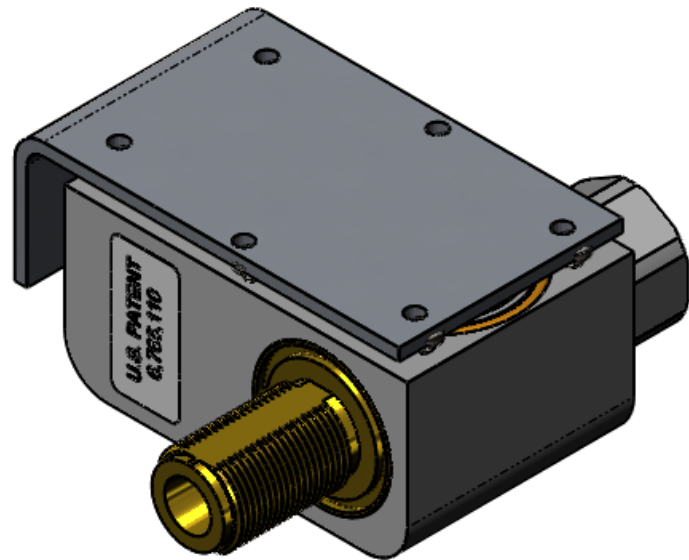


REVISIONS				
REV.	DESCRIPTION	ECN	DATE	APPROVED
F	REFER TO ECN	11920	8/06/13	KCB

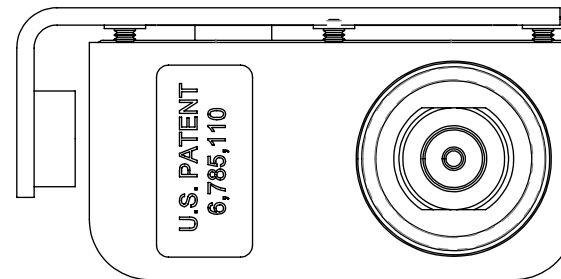


MAXIMUM CHARACTERISTICS

APPLICATION:
 USED TO PROTECT CRITICAL COMMUNICATIONS
 SUCH AS PUBLIC SAFETY AND RAIL.
 WEATHERIZED, FLANGE OR BULKHEAD MOUNT
 FREQUENCY RANGE:
 100MHz TO 512MHz
 VSWR:
 ≤1.1:1 OVER FREQUENCY RANGE
 INSERTION LOSS:
 ≤0.1dB OVER FREQUENCY RANGE
 POWER:
 750W RMS AVERAGE
 MAX. SURGE:
 20kA IEC 61000-4-5 8/20µs WAVEFORM
 THROUGHPUT ENERGY:
 ≤500nJ FOR 3kA, 8/20µs WAVEFORM
 RELATIVE HUMIDITY:
 TO 95%
 ENVIRONMENTAL:
 MEETS IEC 60529 IP67
 MEETS BELLCORE #TA-NWT-000487
 PROCEDURE 4.11, WIND DRIVEN (120MPH)
 RAIN INTRUSION TEST.
 TEMPERATURE:
 -50°C TO +85°C STORAGE/OPERATING
 CE COMPLIANT
 RoHS COMPLIANT

HARDWARE KIT INCLUDES:

QTY	DESCRIPTION
1	NUT 5/8-24 303 HEX SS
1	WASHER 5/8 410 SS
1	SILICONE O-RING 019
1	SCREW CAP M8X1.25X10MM
1	WASHER 5/16 EXT 18-8 SS



CUSTOMER APPROVAL: _____ DATE: _____

ALL DIMENSIONS SHOWN ARE FOR REFERENCE ONLY.

UNLESS OTHERWISE SPECIFIED LEADING DIMENSIONS ARE INCHES DIMENSIONS IN [] ARE MILLIMETERS	DRAWN	SH	DATE	PolyPhaser [®]			
	ENG APPD	RCD	6/27/03				
TOLERANCES: FRACTIONS=± 1/32 .XX=± .03 ANGLES=± 1° .XXX=± .010	PRODUCT MGR	NT	6/26/03	TITLE 100-512MHz VHF COMB 750W CUSTOMER SPECIFICATION			
	MARKETING APPD	SJD	6/27/03				
MATERIAL	PROJECT NO.			SIZE	CAGE	PART NUMBER	REV
THIRD-ANGLE PROJECTION 	NOTICE: THE INFORMATION AND DESIGN IN THIS DOCUMENT IS THE PROPERTY OF TRANSACTOR SYSTEMS. ALL RIGHTS RESERVED.			B	61114	VHF50HN-MA	F
				SCALE	1:1	PROD CAT	RFP

THESE COMMODITIES, TECHNOLOGY OR SOFTWARE WERE EXPORTED FROM THE UNITED STATES IN ACCORDANCE WITH THE EXPORT ADMINISTRATION REGULATIONS. DIVERSION CONTRARY TO U.S. LAW PROHIBITED.