

Type N M/F Bulkhead Coaxial RF Surge Protector, 10MHz - 1GHz,
DC Block, 1.5kW, 3.5mJ, 20kA, Blocking Cap, Hole Mount



IS-B50LN-C2-MA

Features

- Surge current of 20kA
- Max Power 375W
- Frequency range from 125 MHz to 1000 MHz
- N Male to N Female connectors
- VSWR <1.1:1
- Multi-strike capability
- CE & RoHS compliant

Applications

- HF, UHF and VHF radios
- Ham radios
- Remote industrial monitoring

Description

RF surge protector (also known as lightning arrester or surge arrester) IS-B50LN-C2-MA from PolyPhaser, integrating a RF blocking capacitor with a gas tube (GT or GDT). This RF surge protector component is manufactured in a coaxial in-line design with wide operating frequency range. All PolyPhaser RF surge protector products are available in stock with same day shipping.

Electrical Specifications

Surge Protector Type
DC Handling

Blocking Cap and Gas Tube
DC Block

Description	Minimum	Typical	Maximum	Units
Frequency Range	10		1,000	MHz
Impedance		50		Ohms
VSWR			1.1:1	
Insertion Loss			0.1	dB
Input Power, CW			1.5	kWatts
1.5kW @ 10MHz TO 50MHz				
375W @ 50MHz TO 220MHz				
125W @ 220MHz TO 700MHz				
50W @ 700MHz TO 1000MHz				
Surge Current			20	kA
IEC 61000-4-5 8/20µs WAVEFORM				
Turn On Voltage		600 ±20%		Volts
Throughput Energy			3.5	mJ
@ 3kA 8/20µs WAVEFORM				

Click the following link (or enter part number in "SEARCH" on website) to obtain additional part information including price, inventory and certifications:
[Type N M/F Bulkhead Coaxial RF Surge Protector, 10MHz - 1GHz, DC Block, 1.5kW, 3.5mJ, 20kA, Blocking Cap, Hole Mount IS-B50LN-C2-MA](#)

Type N M/F Bulkhead Coaxial RF Surge Protector, 10MHz - 1GHz,
DC Block, 1.5kW, 3.5mJ, 20kA, Blocking Cap, Hole Mount



IS-B50LN-C2-MA

Mechanical Specifications

Size

Length	2.5 in [63.5 mm]
Width/Diameter	1 in [25.4 mm]
Height	2.25 in [57.15 mm]
Weight	0.35 lbs [158.76 g]

Configuration

Input Connector	N Male
Output Connector	N Female

Environmental Specifications

Temperature

Operating Range	-50 to +50 deg C
Storage Range	-55 to +85 deg C

Ingress Protection (IP) Rating	None
Vibration	1G up to 100Hz

Compliance Certifications

RoHS
CE

Plotted and Other Data

Notes:

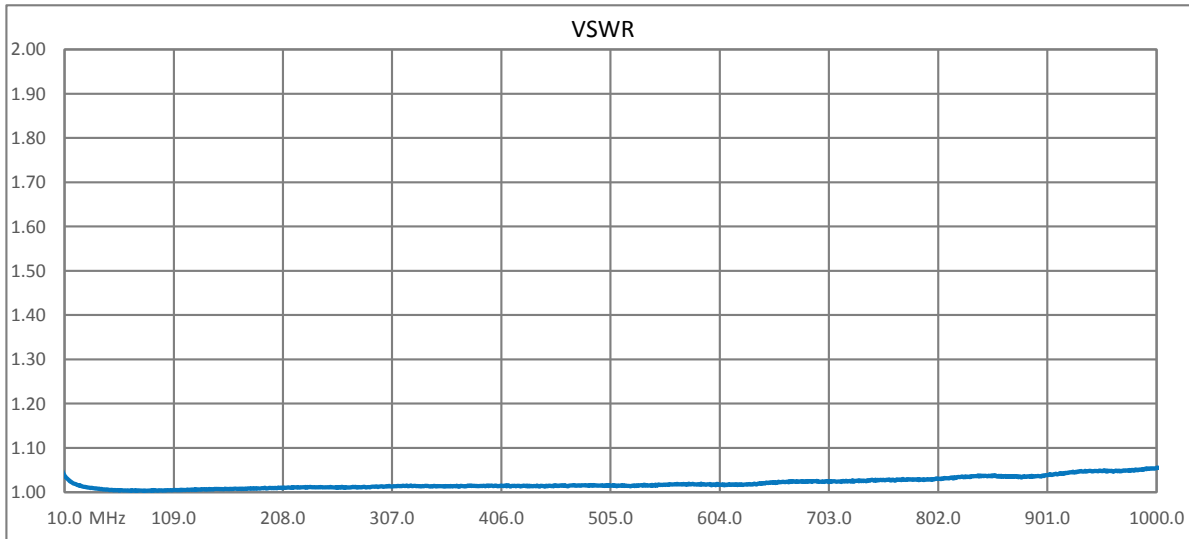
Click the following link (or enter part number in "SEARCH" on website) to obtain additional part information including price, inventory and certifications:
[Type N M/F Bulkhead Coaxial RF Surge Protector, 10MHz - 1GHz, DC Block, 1.5kW, 3.5mJ, 20kA, Blocking Cap, Hole Mount IS-B50LN-C2-MA](#)

Type N M/F Bulkhead Coaxial RF Surge Protector, 10MHz - 1GHz,
DC Block, 1.5kW, 3.5mJ, 20kA, Blocking Cap, Hole Mount



IS-B50LN-C2-MA

Typical Performance Data



Click the following link (or enter part number in "SEARCH" on website) to obtain additional part information including price, inventory and certifications:
[Type N M/F Bulkhead Coaxial RF Surge Protector, 10MHz - 1GHz, DC Block, 1.5kW, 3.5mJ, 20kA, Blocking Cap, Hole Mount IS-B50LN-C2-MA](#)

Type N M/F Bulkhead Coaxial RF Surge Protector, 10MHz - 1GHz,
DC Block, 1.5kW, 3.5mJ, 20kA, Blocking Cap, Hole Mount



IS-B50LN-C2-MA



PolyPhaser protects and increases the reliability of global RF communications networks, including transportation, telecommunications, defense, security and industrial applications, with superior RF surge protection technologies including DC Block, DC Pass and Ultra Low PIM. Backed by responsive service and expert technical support PolyPhaser continually expands its product offering and services to serve engineers' urgent needs for RF components in mission critical communication networks.

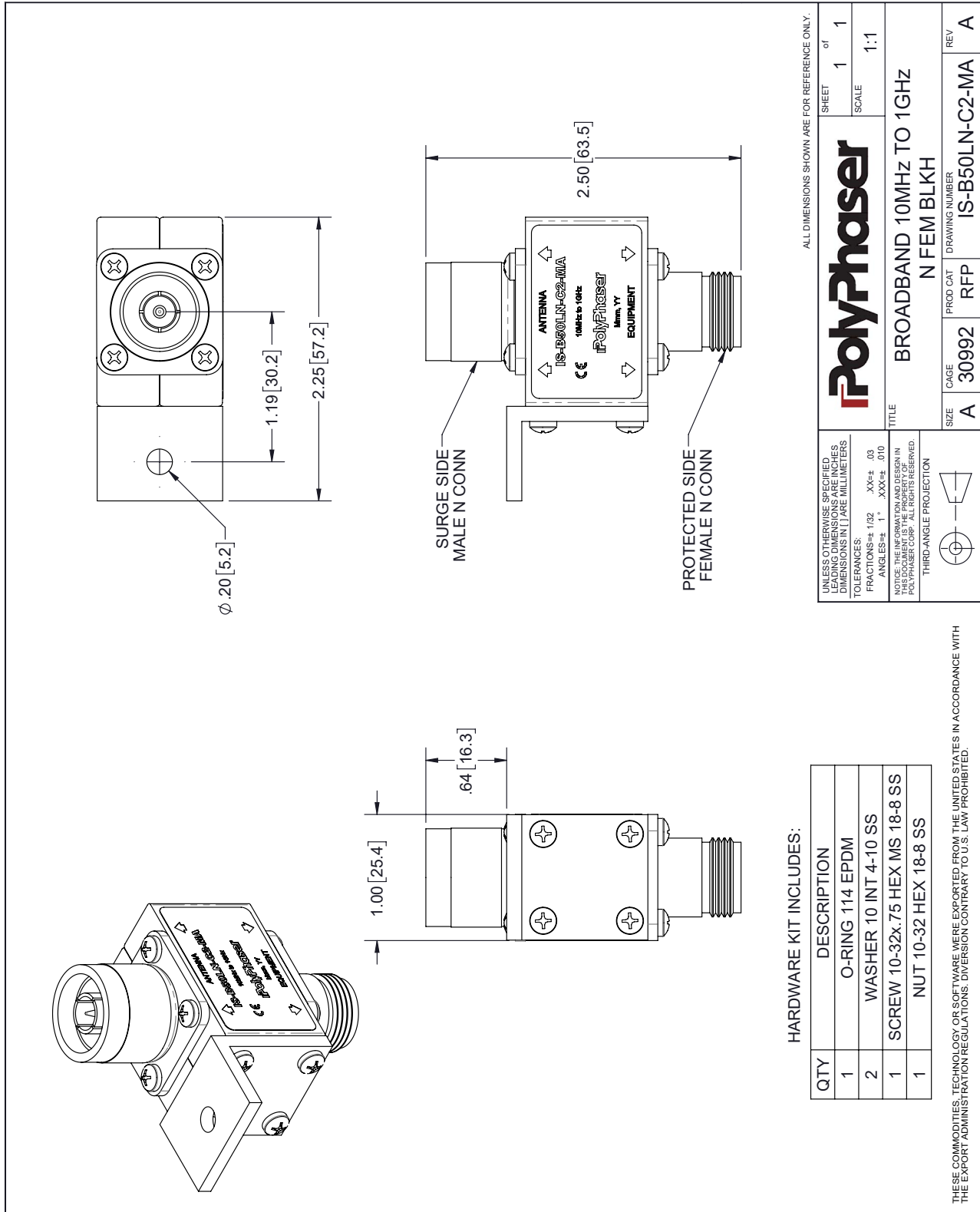
Click the following link (or enter part number in "SEARCH" on website) to obtain additional part information including price, inventory and certifications: [Type N M/F Bulkhead Coaxial RF Surge Protector, 10MHz - 1GHz, DC Block, 1.5kW, 3.5mJ, 20kA, Blocking Cap, Hole Mount IS-B50LN-C2-MA](#)

URL: <https://www.polyphaser.com/type-n-surge-protector-1ghz-blocking-cap-gas-tube-is-b50ln-c2-ma-p.aspx>

The information contained in this document is accurate to the best of our knowledge and representative of the part described herein. It may be necessary to make modifications to the part and/or the documentation of the part, in order to implement improvements. PolyPhaser reserves the right to make such changes as required. Unless otherwise stated, all specifications are nominal. PolyPhaser does not make any representation or warranty regarding the suitability of the part described herein for any particular purpose, and PolyPhaser does not assume any liability arising out of the use of any part or documentation.

Type N M/F Bulkhead Coaxial RF Surge Protector, 10MHz - 1GHz, DC Block, 1.5kW, 3.5mJ, 20kA, Blocking Cap, Hole Mount

IS-B50LN-C2-MA CAD Drawing



		SHEET	1	of	1
		SCALE	1:1		
TITLE BROADBAND 10MHz TO 1GHz N FEM BLKH		SIZE	A	CAGE	30992
PROD CAT RFP		DRAWING NUMBER	IS-B50LN-C2-MA		
REV A					