

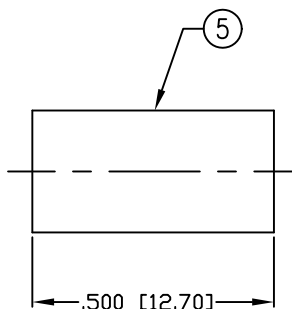
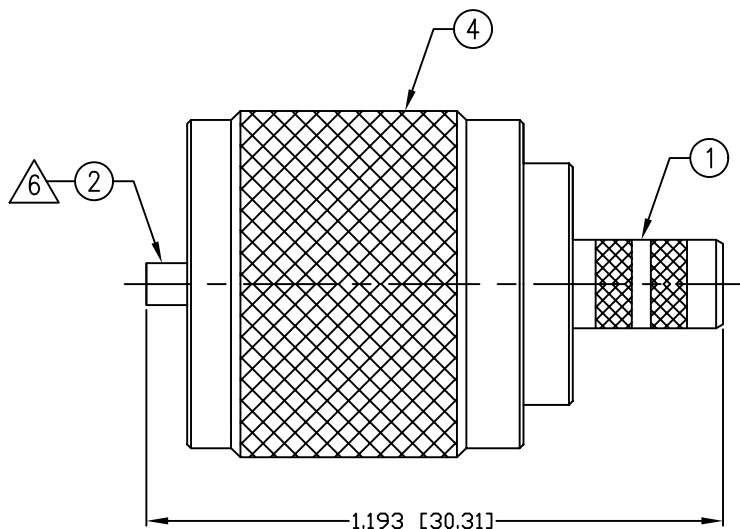
THIS DRAWING CONTAINS INFORMATION PROPRIETARY TO RF INDUSTRIES,
 ANY UNAUTHORIZED USE OF THIS DRAWING IS EXPRESSLY PROHIBITED
 WITHOUT WRITTEN PERMISSION FROM RF INDUSTRIES.
 ANY VIOLATION IS PUNISHABLE UNDER U.S. COPYRIGHT LAWS.

ALL DIMENSIONS ARE REFERENCE ONLY

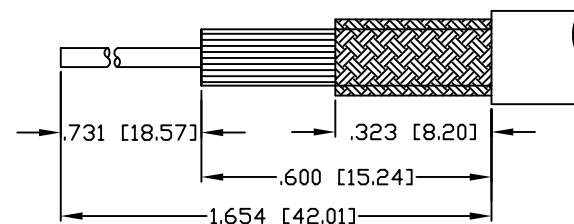
PART NO.

RFU-505-ST

| REV | DESCRIPTION | DWN | DATE | APPROVED |
|-----|---|-----|----------|----------|
| J | STANDARDIZE CONTACT ITEM #2 CHANGE STRIPPING INST | CZS | 3/2/99 | R. RICE |
| K | CHANGE FERRULE CONFIGURATION | CZS | 12/9/99 | JDMc |
| L | CHG. OVER ALL, AND STRIPING DIM'S / CHG. FORMAT | GGG | 11/28/01 | JDMc |
| M | ADJUST STRIPING LENGTH | CZS | 4/24/06 | JDMc |



RECOMMENDED CRIMP DIE: .213"



RECOMMENDED STRIPPING DIMENSIONS

SPECIFICATIONS:

IMPEDANCE: NON CONSTANT
 FREQUENCY RANGE: 0-300 MHz
 WORKING VOLTAGE: 500 V rms @ sea level
 (C) FOR RG-58, 58A, 58C, 141, 141A, BELDEN 8240,
 8262, 9201, 9203, 9310, 9311 & COMM/SCOPE 0268
 (C2) FOR TIMES LMR-200, ALPHA 9848 & MSI-22

6 CONTACT ID .047 [1.19]
 CRIMP CONTACT WITH .068" CRIMP
 DIE OR SOLDER OR BOTH

| 1 | BODY | 1 | BRASS | SILVER, 80 μ" | 000486 | |
|----|-------------|-----|-------|---------------|-----------|------|
| 2 | CONTACT | 1 | BRASS | SILVER, 80 μ" | | |
| 3 | DIELECTRIC | 1 | PTFE | --- | | |
| 4 | SHELL | 1 | BRASS | SILVER, 80 μ" | | |
| 5 | FERRULE | 1 | BRASS | SILVER, 80 μ" | | |
| 6 | | | | | | |
| 7 | | | | | | |
| 8 | | | | | | |
| 9 | | | | | | |
| 10 | | | | | DRAWN | |
| 11 | | | | | C. ZUNIGA | |
| 12 | | | | | CHECKED | |
| 13 | | | | | 4/24/06 | |
| 14 | | | | | ORJ DRAWN | |
| | | | | | C. JONES | |
| | | | | | 4/2/92 | |
| # | DESCRIPTION | QTY | MATRL | FINISH | APPROVALS | DATE |

UNLESS OTHERWISE SPECIFIED:

1. REMOVE ALL BURRS
2. BREAK ALL CORNERS & EDGES .005 R. MAX.
3. CHAMFER 1ST & LAST THREADS 45°
4. SURFACE ROUGHNESS 63 FINISH MIL-STD-10
5. DIAMETERS ON COMMON CENTERS TO BE CONCENTRIC WITHIN .002 T.I.R.
6. ALL DIMENSIONS ARE AFTER PLATING.

DIMENSIONS ARE IN INCHES
 AND [MILLIMETERS]

UNLESS OTHERWISE NOTED
 TOLERANCES ARE:

| DECIMALS | DIAMETER |
|-----------------|-----------------|
| .xxx±.003 [.08] | .xxx±.001 [.03] |
| .xx±.005 [.13] | .xx±.003 [.08] |

RF connectors
 DIVISION OF RF INDUSTRIES, LTD.

7610 MIRAMAR RD
 SAN DIEGO, CA 92126
 (858) 549-6340
 (858) 549-6345 FAX

UHF PLUG, CRIMP

| SIZE | CABLE GROUP | DWG NO. | REV |
|------------|-------------|------------------|--------------|
| A | C, C2 | RFU-505-ST | M |
| SCALE: NTS | | CAD FILE OUTLINE | SHEET 1 OF 1 |